

# Terrco<sup>®</sup>, Inc.

## MODEL 6200



### **OPERATING INSTRUCTIONS MAINTENANCE INSTRUCTIONS ILLUSTRATED PARTS LIST**

**Terrco<sup>®</sup> Inc.**

222 1st Avenue NW • Watertown, SD 57201

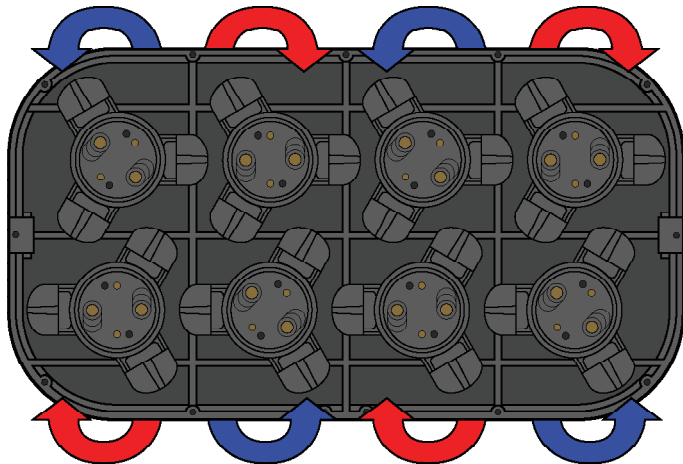
Phone: (605) 882-3888 • Fax: (605) 882-0778

Website: [www.terrco.com](http://www.terrco.com) • Email: [info@terrco.com](mailto:info@terrco.com)

# MODEL 6200

HP/KW	40/30
SWEEP OF DISCS	53-1/2" (1360 mm)
ABRASIVE PRESSURE	1885 lbs (855 kg)
WIDTH OF MACHINE	55" (1400 mm)
LENGTH OF MACHINE	80" (2032 mm)
HEIGHT OF MACHINE	54" (1371 mm)
NET WEIGHT	2400 lbs (1090 kg)
SHIPPING WEIGHT	2650 lbs (1200 kg)
WATER TANK	18 gallons (68 l)
POWER CORD (4-4)	100 ft (30.5 m)

\* WEIGHT MEASURED WITH FOUR POCKET WEIGHTS



Opposite rotating heads mean the operator does NOT fight the machine.

- Ten 42 lbs. Pocket Weights
- Stainless Steel Water Tank
- Stainless Steel Guards
- Wet/Dry Setup
- Direct Drive, **NO** Belts
- Self-propelled
- Handle separates from the gear case to allow handle and case to pass through a standard 36" door

## PRODUCTION RATES

- Mastic removal rate of 1,800 sq. ft. per hour
- Thin-set removal rates of 2,400 sq. ft. per hour
- Thin-Mil coatings removal rates of 1,400 sq. ft. per hour.
- Concrete polishing rates of 8,000 sq. ft. per hour (depending of grit)
- Rough Terrazzo rate of 2,500 sq. ft. per day

95+ YEARS

## ELECTRICAL OPTIONS

VOLTAGE	230	460	230	460
PHASE	3	3	3	3
DRIVE	MANUAL	MANUAL	VARIABLE	VARIABLE
AMP DRAW	60	30	60	30
BREAKER (AMPS)	80-100	50	80-100	50
STONE HOLDER RPM	510	510	385-600	385-600

**Terrco<sup>®</sup> Inc.**

222 1st Avenue NW • Watertown, SD 57201

Phone: (605) 882-3888 • Fax: (605) 882-0778

Website: [www.terrco.com](http://www.terrco.com) • Email: [info@terrco.com](mailto:info@terrco.com)

## SAFETY PRECAUTIONS

This machine is intended for commercial use.

It is designed exclusively to grind and polish Terrazzo and concrete floors.

Use only recommended accessories and abrasives.

When the machine is in need of repair, use only Terrco approved parts.

All operators must read, understand and practice the following safety precautions.



**WARNING:** Rotating grinding wheels can cause injury, keep hands and loose clothing clear.



**WARNING:** Disconnect power at the machine before servicing or changing grinding stones.



**WARNING:** Always check ground (earth) connection prior to operating machine.

### FOR SAFETY:

- Have electrician hook up power to machine.
- Always operate machine with ground fault protection.
- Eye, hearing and respiratory protection advised.
- Service and adjust guards for maximum protection. Never remove the guards.
- Keep machine clean and properly serviced.

# SAFETY LABEL

The safety label is located on the drive box of the machine.  
Replace label if it is damaged or illegible.

 <b>WARNING</b>  FOR SAFETY, READ OWNERS MANUAL BEFORE USING MACHINE	
	<b>ROTATING CUTTERS</b> KEEP GUARDS IN PLACE AND ADJUSTED KEEP HANDS AND FEET AWAY WHEN OPERATING
	<b>WEAR EYE AND HEARING PROTECTION WHILE OPERATING THE MACHINE</b>
	<b>GRINDING CAN GENERATE DUST DUST MAY AFFECT BREATHING AVOID DUST CONTACT BY USE OF MASK OR RESPIRATOR</b>
	<b>DISCONNECT POWER BEFORE CHANGING TOOLING OR SERVICING THE MACHINE ALWAYS CHECK GROUND (EARTH) PRIOR TO OPERATING MACHINE</b>



# MODEL 6200

## OPERATING AND MAINTENANCE INSTRUCTIONS



### INTRODUCTION

This Manual has been prepared to assist you in the proper maintenance and operation of your Terrco® Machine. Please bear in mind that your Terrco® 6200 is a precise piece of machinery manufactured to exacting standards. In order for you to obtain maximum use of your Terrco® 6200, we suggest that you read this manual completely and thoroughly before attempting to operate your machine. A parts diagram and parts list are included to assist you in ordering the proper parts. Always give the machine number and model number when ordering your repair parts.

### PRELIMINARY PROCEDURES TO FOLLOW BEFORE OPERATING MACHINE FOR THE FIRST TIME:

#### DELIVERY OF MACHINE

1. On delivery the contractor should very carefully examine the shipping crate to see that it has not been mishandled. Before accepting the shipment, uncrate the machine and very carefully examine the machine to ensure that nothing has been damaged. If damage is noted, request an inspection immediately and request a copy of the claim report. When accepting the machine from the delivery carrier, note the damage on the bill of lading before signing.

2. Terrco® **WILL NOT** honor any claims for broken, damaged, or missing parts that may have occurred in shipping, as each machine is checked and inspected before leaving our plant.

The machine has been fully lubricated at the factory before shipping.

### ON-THE-JOB INSTRUCTIONS

#### INSTALLATION INSTRUCTIONS-STONES

1. Move the counterbalancing weights to the upper weight baskets.
2. Tilt the machine back so that the caster wheel rests on the floor.
3. Clean mounting surface both on plug stone and stone holder. On 2" or 3" diameter plug stone, push stone in the hole and give the stone a slight twist to be certain it is securely in place.
4. Grasp machine handle and lower the machine slowly to the floor. Make certain no stones have fallen or loosened while lowering the machine.
5. Return the counterbalancing weights to the lower weight baskets.

#### TRANSPORTING THE MACHINE

1. With the counterbalancing weights in the upper weight baskets, tilt the machine so that the caster wheel is firmly on the floor. You can push from the gearcase side or use the flop handle to pull.

#### TO OPERATE THE MACHINE

1. Disconnect the electrical source.
2. Install the stones per instructions in installation section.
3. After stones are installed, lower the machine until it is in operating position.

**CAUTION!** - Never attempt to start the machine while lowering it to the floor, as rear stones will strike on corners resulting in thrown stones and possible damage to the machine and/or floor surface.

4. Before plugging into the electrical system, check the voltage at the source. The minimum acceptable voltage is (210/420 Volt, 60 HZ, 3 phase), or (380 Volt, 50 HZ, 3 phase). Anything lower than this can result in blown heaters and possible motor burnout.

5. If the machine is to operate in an area more than 200 feet from the source, it will be necessary to use the next larger size cable than the cable that was furnished with the machine.



# MODEL 6200

## OPERATING AND MAINTENANCE INSTRUCTIONS



6. After you have the cable in place, relieve pressure on the handle and push the start button on the starter switch, then releasing the pressure on the handle to lower the machine back to the floor.
7. We recommend that the first pass over the floor be made with the weights in the upper wight baskets. After the floor is "roughed" out, move the weights to the weight baskets located on the gear case for maximum abrasive pressure.
8. Be sure to periodically check stone wear, to prevent grinding with the steel plugs, rather than the stones.

### GENERAL MAINTENANCE AND REPAIR INSTRUCTIONS

#### THE LUBRICATION OF THE MACHINE

1. The lubrication of the main gear case.
  - The main gear case contains Mobilith AW-1 grease.
  - Gear case level should be checked once a year. The level of the grease in the gear case should be half way up, to just covering the thickness of the driven gears (Ref. number 22 and 46 on the parts list (gear case assembly)). **DO NOT FILL TO THE TOP!** The drive gear must **NOT** be covered, as you will create a pressure build-up that will damage seals and cause grease leakage.
2. Location of additional grease fittings/zerks.
  - Eight fittings on bearing caps on top of gear case (Ref. number 6 on the parts list (gear case assembly)).
  - Lubricate these fittings with 2 shots of grease every month with Mobilith AW-1 or equivalent.

#### KEEPING MACHINE CLEAN

1. Schedule daily cleaning after each days grinding.
  - Tilt machine back on handle.
  - Clean under carriage with water using a garden hose and nozzle.
  - Clean all grease fittings.
2. Do not let any build-up of cement grinding paste occur as this could create an overload on your machine, as well as more weight to push.
3. Avoid direct spraying of drives/ starter boxes if using a pressure washer to clean the machine.

#### REPLACEMENTS OF WORN, DAMAGED, OR MISSING PARTS

1. Advantages
  - If worn parts (bearings, gears, etc) are not replaced promptly, serious damage to your machine could occur.
  - Your machine will operate more efficiently with new Terrco® parts.
2. Use only authorized Terrco® parts as our warranty will not apply if other than factory authorized Terrco® parts are used.

#### MORFLEX FLEXIBLE COUPLINGS

1. Bolts, (Ref. number 9 on gear case assembly) should be checked weekly for tightness. Loose bolts cause extreme vibrations and premature failure of rubber inserts in the couplings.
2. Your flexible couplings (Ref. number 30 on gear case assembly) should be changed a minimum of once a year whether you use your machine or not.

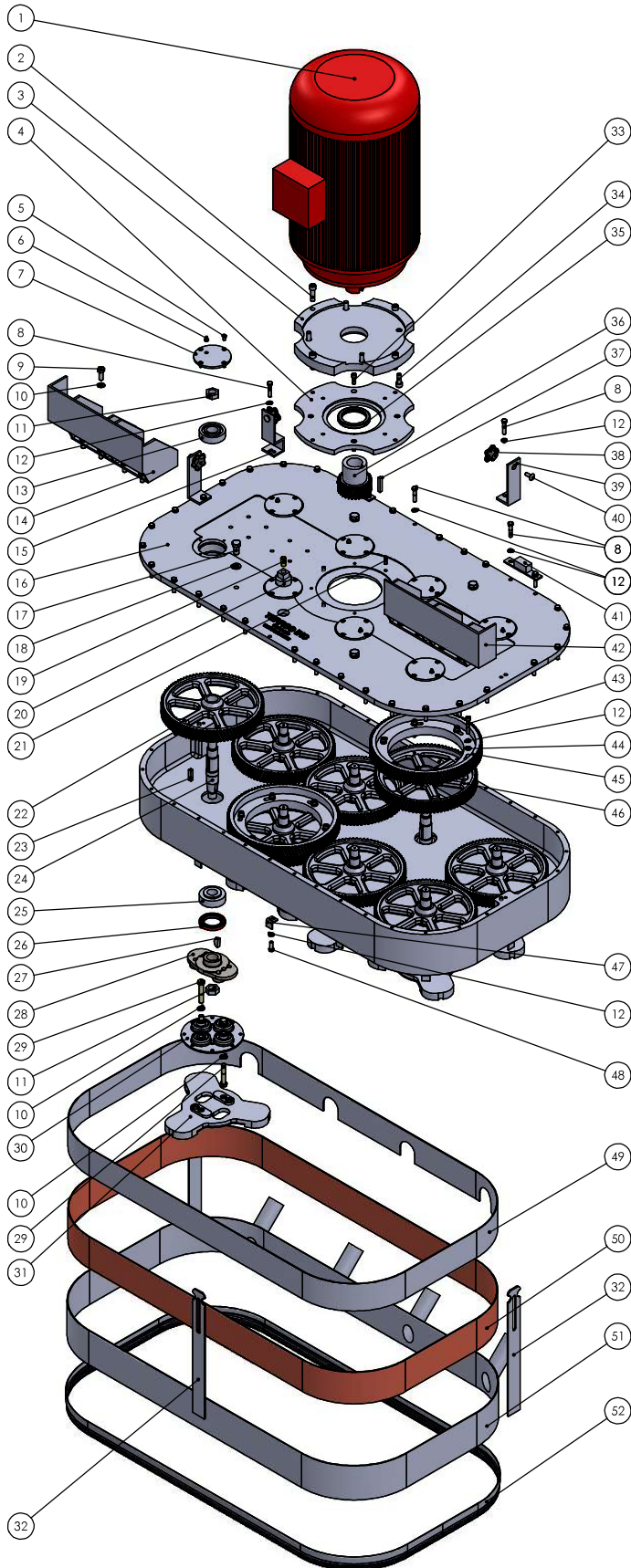
#### STONE WEAR AND REPLACEMENT

1. Check your stones for wear periodically, as the stones may be worn flush with stone holder plugs and the operator may be grinding with steel stone spiders.





# MODEL 6200 PARTS LIST (GEAR CASE ASSEMBLY)

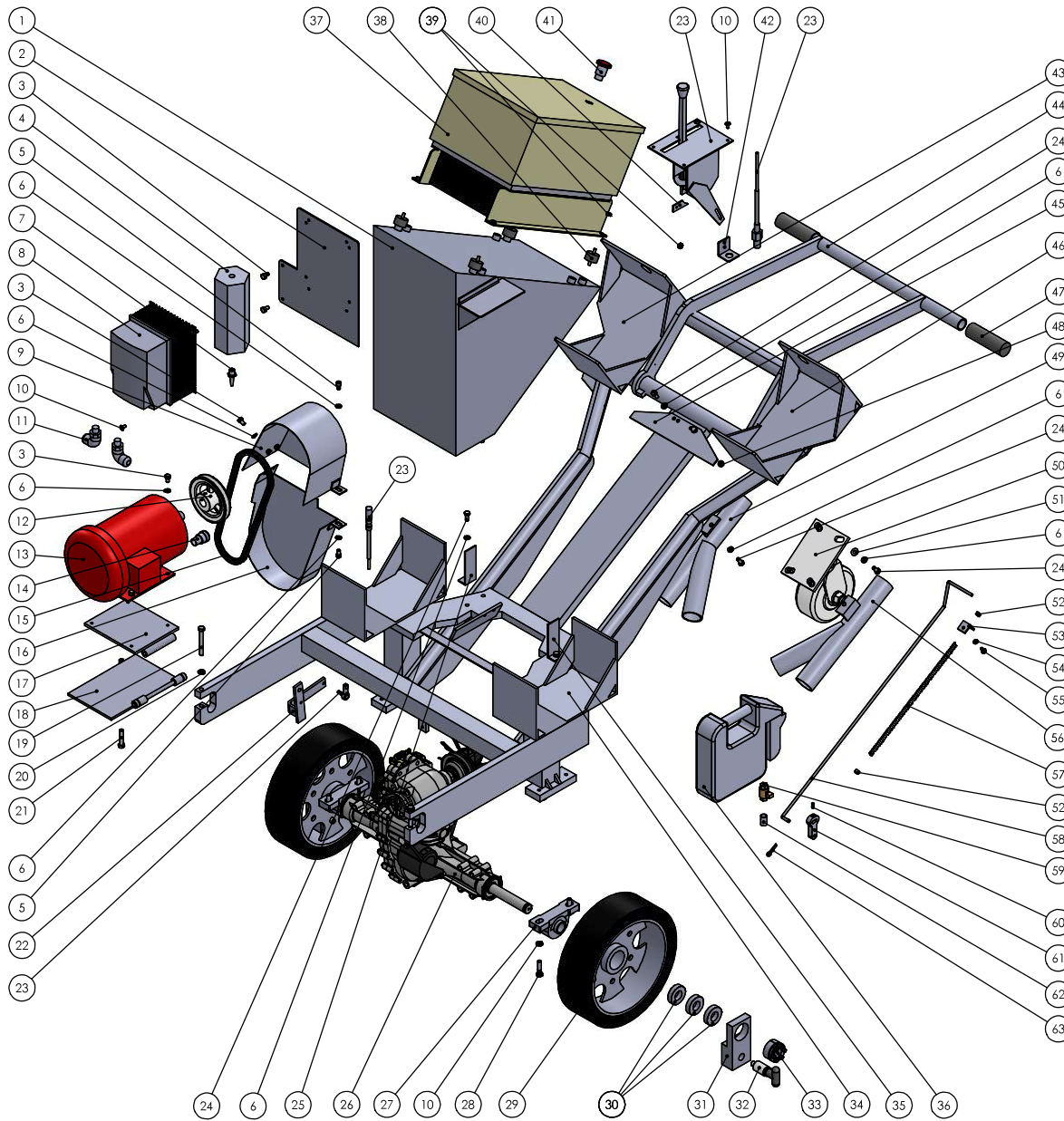


ITEM NO.	PART NUMBER	DESCRIPTION	QTY.
1	FE 147B	40HP,3PH,1770RPM,460 VOLT MOTOR	1
2	T3048	1/2-13 X 1-3/4" LG SOCKET HEAD CAPSCREW	4
3	FE 130-6200-MTR	MOTOR MOUNTING PLATE - MOTOR	1
4	FE 130-CASE	MOTOR MOUNTING PLATE - CASE	1
5	T3011	1/4-28 X 5/8 LG SOCKET FLAT HEAD	32
6	000170	GREASE FITTING 1/8" NPT STRAIGHT	8
7	FE 027	BEARING CAP	8
8	T1097	3/8-16 X 1-3/4 LG HEX HEAD CAPSCREW	36
9	Z02-1419	1/2-13 X 1-1/4 LG HEX HEAD CAPSCREW	16
10	T1012	1/2" LOCK WASHER MEDIUM	48
11	T2008	STOP NUT 1"-1/4 JAM	20
12	T1022	3/8 MEDIUM LOCKWASHER	61
13	SM 043, SM 037	UPPER BEARING CONE & CUP	8
14	FE 261L	LOWER WEIGHT BASKET - L	1
15	FE 270	FRONT GUARD BRACKET	1
16	FE 252	GEAR CASE COVER	1
17	T2139	5/8-11 X 1-1/4 LG HEX HEAD CAPSCREW	4
18	T2140	LOCKWASHER	4
19	DS 184	BREATHER CAP	1
20	X-100	1.5" NPT PIPE PLUG,SQUARE HEAD,GALVANIZED	1
21	FD 040	DOWEL PIN 3/8 X 1" LG	6
22	SM 015L	DRIVEN GEAR - L	4
23	SM 072	HELICAL GEAR KEY	8
24	SM 016	HELICAL GEAR SHAFT	8
25	SM 036, SM 037	LOWER BEARING CONE & CUP	8
26	SM 169	GEAR SHAFT GREASE SEAL	8
27	T2012	WOODRUFF KEY	8
28	SM 500	DRIVING SPIDER	8
29	SM 171	MORFLEX COUPLING BOLT,ADV. J27B	32
30	SM 088	COUPLING	8
31	SM 491A	SPEED SHIFT PLATE - 6200	8
	SM 192B	PLUG STONE HOLDER - 6200	
	SM 492	UNIVERSAL TOOL PLATE	
32	FE 029	SPLASH GUARD ADJUSTABLE STRAP	3
33	T2111	SOCKET HEAD CAPSCREW 3/8-16 X 1" LG	4
34	T2165	5/8-11 X 1-1/4 LG SOCKET HEAD CAPSCREW	4
35	FE 255	SEAL FOR FE 254 PINION,2.875" ID	1
36	FE 254	PINION,30HP ELECTRIC MOTOR,1.875"	1
37	FE 114	MOTOR KEY	1
38	SM 537	HAND KNOB	3
39	FE 271	SIDE GUARD BRACKET	2
40	T2029	CARRIAGE BOLT 3/8-16 X 1" LG	3
41	FE 333	TILT STOP - 6200	2
42	FE 261R	LOWER WEIGHT BASKET - R	1
43	T2099	3/8-16 X 2" LG SOCKET HEAD CAPSCREW	12
44	T2148	FLAT WASHER	12
45	FE 125B	DRIVE GEAR	2
46	FE 004B	DRIVEN GEAR - R	4
47	SM 028	DRIVING SPIDER GUARD BRACKET	13
48	T2013	3/8-16 X 1" LG HEX HEAD CAPSCREW	13
49	FE 259	STATIONARY GUARD	1
50	FE 262	DUST SEAL - 6200	1
51	FE 260	ADJUSTABLE SLASH GUARD	1
52	LW 78(6200)	BRUSH STRIP - 6200	1





# MODEL 6200 PARTS LIST (HANDLEBAR ASSEMBLY)



ITEM NO.	PART NUMBER	DESCRIPTION	QTY.
1	FE 342	WATER TANK- SELF PROPELLED	1
2	FE 345	WATER TANK BRACE- STAINLESS STEEL	1
3	T1033	5/16-18 X 1/2 HEX HEAD CAPSCREW	4
4	FE 289	EXPANSION TANK	1
5	T1111	5/16-18 X 1/2" SOCKET HEAD CAPSCREW	2
6	T1007	LOCK WASHER	17
7	T3047	HOSE BARB, STRAIGHT 1/4 NPT X 3/8	1
8	FE 351	2 HP VECTOR DRIVE 460 VOLT 3 PHASE	1
9	FE 474	UPPER BELT GUARD - SELF PROPELLED HANDLE	1
10	T2161	1/4-20X 1/2 LG SLOTTED TRUSS HEAD	6
11	X-80	90 DEGREE CORD CONNECTOR	3
12	FE 293	PULLEY 5" DIA, 7/8 BORE AND BUSHING	1
13	FE 292	MOTOR 2 HP, 3 PHASE	1
14	X-81	STRAIGHT CORD CONNECTOR	1
15	FE 358	V-BELT, 32"	1
16	FE 475	LOWER BELT GUARD - SELF PROPELLED HANDLE	1
17	FE 477	2HP MOTOR MOUNT - SELF PROPELLED	1
18	FE 345	STARTER MOUNT-SELF PROPELLED	1
19	T3053	3/8-16 X 3" LG HEX HEAD CAPSCREW	2
20	T1022	3/8 MEDIUM LOCKWASHER	6
21	Z02-1360	3/8-16 X 1-3/4 LG TAP BOLT	1
22	FE 476	CONTROL BRACKET ASSEMBLY - SELF PROPELLED	1
23	FE 307	CONTROL ASSEMBLY, TRANSAXLE	1
24	T2130	5/16-18 X 3/4" LG HEX HEAD CAPSCREW	9
25	FE 349R	SP WATER TANK BRACKET - STAINLESS STEEL - L	1
26	FE 357	TRANSAXLE 1" AXLE G7 SERIES	1
27	FE 354	1" PILLLOW BLOCK	2
28	T2004	3/8-16 X 1-1/2 LG HEX HEAD CAPSCREW	4
29	FE 352	TIRE, 3100 & 6200 SELF PROPELLED	2
30	FE 356	BEARING	6
31	FE 353	WHEEL ENGAGE BLOCK	2
32	FE 291	PULL PIN, 6200 WHEEL	2
33	FE 355	1" KEYLESS LOCKING HUB	2
34	FE 256	LOWER WEIGHT BASKET	2
35	FE 349L	SP WATER TANK BRACKET - STAINLESS STEEL - R	1
36	FE 246	POCKET WEIGHT, CASTING, 42lbs.	10
37	FE 263	40HP, 460 VOLT, 3PH 60HZ VARIABLE SPEED DRIVE	1
38	FE 251	VIBRATION MOUNT	4
39	T2003	HEX HEAD NUT 1/4-20	6
40	FE 472	SHIFTER BRACKET - 6200	1
41	LW 076	EMERGENCY STOP SWITCH ASSY	1
42	FE 482	SHIFTER GUIDE BRACKET	1
43	FE 256R	UPPER WEIGHT BASKET - R	1
44	FEN 031	HANDLE WELDMENT, MODEL 6200 SELF PROPELLED	1
45	FE 074-SS	WATER TANK BRACE	1
46	FE 256L	UPPER WEIGHT BASKET - L	1
47	SM 057	HANDLE GRIP	2
48	T2025	5/16-18 HEX NUT	2
49	SM 457	2" Y SECTION - DRY - R	1
50	HB 088B	CASTER	1
51	T3015	1/4" USS WROUGHT WASHER	4
52	SM 186	HANDLE SPACER COLLAR	2
53	FD 043	WATER GUIDE BRACKET	1
54	T1030	LOCK WASHER	1
55	T2122	1/4-20 X 1/2 LG HEX HEAD CAPSCREW	1
56	SM 457LH	2" Y SECTION - DRY - L	1
57	SM 182	HANDLE SPRING, COMPRESSION	1
58	FE 078A	WATER TANK ROD	1
59	SM 174	WATER TANK VALVE	1
60	T3007	1/4-20 X 1/2 LG SOCKET SET SCREW	1
61	SM 170X	LEVER, WATER VALVE FOR 7500	1
62	SM 175	VALVE STEM	1
63	T2082	COTTER PIN, 1/4 X 2 1/2	1



# WARRANTY CLAIM PROCEDURE



Each new machine is covered by two separate, distinct warranties: one on the machine and one on the electric motor or gasoline engine. Read **VERY CAREFULLY** the Terrco® warranty covering the machine, as this will tell you whether you have a warranty claim or not. If your machine is under warranty and malfunctions, determine whether your problem is electrical or mechanical, and do the following:

## ELECTRICAL

1. Consult the list of authorized motor repair stations sent with the machine and locate the station nearest you.
2. Contact the repair station, giving them the following information:
  - Complete nameplate date from the motor.
  - Tell them that the machine is a terrazzo grinding and polishing machine.
  - Give them a description or rundown of the trouble.
  - Inform them of the voltage and amperage readings as outlined on page 2 of this manual.

## MECHANICAL

1. Contact your Terrco® Distributor giving them the following:
  - Model and date purchased.
  - Horsepower.
  - Accurate description of the malfunction.
2. If there is no Terrco® Distributor in your area call or write to us with the above information.



# LIMITED ONE YEAR WARRANTY



TERRCO® Inc. warrants the original purchaser of the Terrco® grinding equipment to be free from defects in materials and workmanship under normal use and service. Our obligation under this warranty shall be limited to the repair or exchange of any part or parts which may prove defective under normal use and service within one year from date of purchase by, the original purchaser, and which our examination shall disclose to our satisfaction to be defective.

All equipment returned for repairs or exchange must be returned to: TERRCO®, Inc., at the purchaser's expense and within the warranty period. All repaired or exchanged equipment will be shipped back to the purchaser F.O.B. Watertown, South Dakota.

THIS WARRANTY IS EXPRESSLY IN LIEU OF ALL OTHER WARRANTIES EXPRESSED OR IMPLIED INCLUDING THE WARRANTIES OF MERCHANTABILITY AND FITNESS FOR USE AND ALL OTHER OBLIGATIONS OR LIABILITIES ON THE PART OF TERRCO®, INC. AND WE NEITHER ASSUME OR AUTHORIZE ANY OTHER PERSON TO ASSUME FOR US, ANY OTHER LIABILITY IN CONNECTION WITH THE SALE OF THIS EQUIPMENT. SOME STATES DO NOT ALLOW THE EXCLUSIONS OR LIMITATIONS ON IMPLIED WARRANTIES OR DO NOT ALLOW THE EXCLUSION OF LIMITATION OF INCIDENTAL OR CONSEQUENTIAL DAMAGES, SO THE ABOVE EXCLUSIONS OR LIMITATIONS MAY NOT APPLY TO YOU. THIS WARRANTY SHALL NOT APPLY TO ANY EQUIPMENT OR PART THEREOF WHICH HAS BEEN SUBJECT TO ACCIDENT, NEGLIGENCE, ALTERATIONS, ABUSE, MISUSE, OR IMPROPER MAINTENANCE. TERRCO®, INC. MAKES NO WARRANTIES WHATSOEVER IN RESPECT TO ACCESSORIES OR PARTS NOT MANUFACTURED OR SUPPLIED BY US.